



## CASH VALVE TYPE A-34 COMPRESSED GAS REGULATOR INSTALLATION INSTRUCTIONS

Before installation, these instructions must be read carefully and understood.

---

### DESCRIPTION

The Type A-34 regulator is a fully automatic pressure regulating valve designed for most compressed gasses. It is equipped with an internal pressure relief valve in the event of failure. The valve also features a Stainless Steel filter on the Inlet port and (2) Outlet ports.

### SPECIFICATION DATA

**Service:** Air, CO<sub>2</sub>, N<sub>2</sub>, Inert Gases

**SIZES:** 1/4 NPT

**Connections:**

Threaded: Male inlet and

(2) Female outlet ports

**Body Material:** ASTM B16 Brass

**Temperature Rating:**

-40°F (-40°C) to +140°F (60°C)

**Maximum Initial Pressure:**

3000 psi (20.68 MPa)

**Available Pressure Sets:**

110 psig

150 psig

**Capacity:** For specific capacity information, consult the factory.

### GENERAL INSTALLATION INSTRUCTIONS

The Type A-34 regulator should be installed using Teflon tape or other thread sealant compatible with the working fluid. For easy operation and maintenance, it is suggested that the manual shut-off valves be installed upstream and downstream from the valve. Before installing the valve, the piping and valve should be thoroughly flushed out to remove any foreign material.

### CONSTRUCTION

See component description for materials of construction.

### OPERATING INSTRUCTIONS

The regulator's delivery pressure setting is non-adjustable and comes pre-set from the factory.

### MAINTENANCE INSTRUCTIONS

**CAUTION**

*Before attempting to replace any spare parts, be sure to shut off all pressure connections to the valve. With the valve closed however, system pressure could still be locked between the shut off valve and the inlet and/or outlet sides of the regulator. Before proceeding with any valve service, be certain to relieve the pressure from both sides of the regulator.*

*Refer to section view on the following page for parts identification. Repair parts can easily be installed without removing the regulator from the line.*

# CASH VALVE TYPE A-34 COMPRESSED GAS REGULATOR

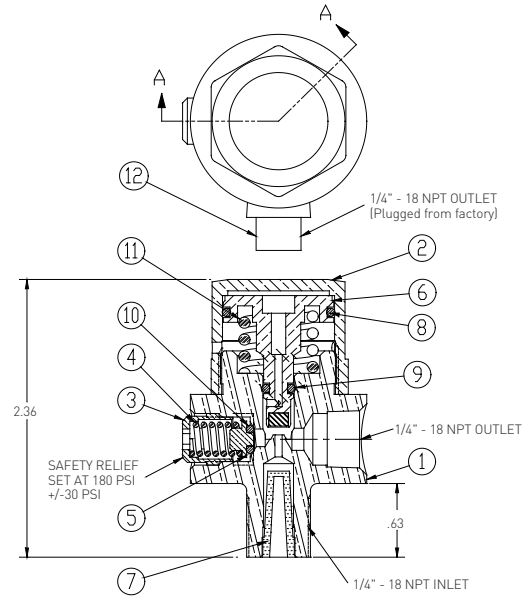
## INSTALLATION INSTRUCTIONS

### BILL OF MATERIALS

Item No.	Description	Material	Quantity
1	Body	Brass	1
2	Spring Chamber	Brass	1
3	Spring Chamber	Brass	1
4	Spring	SST	1
5	Piston	Brass	1
6	Piston Sub-assembly	Brass/Teflon	1
7	Filter	Bronze	1
8	O-ring #019	Buna-N	1
9	O-ring #007	Buna-N	1
10	O-ring #005	Buna-N	1
11	Main Spring	SST	1
12	Pipe Plug	Brass	1

Item No.	Pressure Setting (psig)
1	110
2	150

FIGURE 1



Neither Emerson, Emerson Automation Solutions, nor any of their affiliated entities assumes responsibility for the selection, use or maintenance of any product. Responsibility for proper selection, use, and maintenance of any product remains solely with the purchaser and end user.

Cash Valve is a mark owned by one of the companies in the Emerson Automation Solutions business unit of Emerson Electric Co. Emerson Automation Solutions, Emerson and the Emerson logo are trademarks and service marks of Emerson Electric Co. All other marks are the property of their respective owners.

The contents of this publication are presented for informational purposes only, and while every effort has been made to ensure their accuracy, they are not to be construed as warranties or guarantees, express or implied, regarding the products or services described herein or their use or applicability. All sales are governed by our terms and conditions, which are available upon request. We reserve the right to modify or improve the designs or specifications of such products at any time without notice.