



CASH VALVE™ A SERIES PRESSURE REGULATORS

Single seated and self-actuating compact diaphragm-type regulators covering a wide range of designs and operating pressures



FEATURES

- Reduce high inlet pressures to lower outlet pressures within close limits.
- All brass or bronze bodies with inbuilt strainer.
- Easily renewable disc-piston assembly.
- Screwed-in cylinder body seat provides for easy removal.
- Self contained strainer protects working parts.
- A-360 and A-361 incorporate an aspirating action to give exceptional regulation at high flow rates.
- Fillister or hex head adjusting screws standard; T-bar handle, handwheel or tamper-proof seal caps available.
- Balanced piston design either standard or optional depending on model.

GENERAL APPLICATION

A series regulators are suitable for a variety of applications with water, air, oil, gases or other non-corrosive fluids as may be recommended for a specific design. They are not suitable for steam service.

TECHNICAL DATA

Materials:	Brass, bronze
Sizes:	1/8" to 1/2" (3.5 to 15 mm)
Connections:	Threaded NPTF
Body styles:	2, 3 or 4-way
Inlet pressure range:	250 to 1100 psi (17.2 to 76 bar)
Reduced pressure range:	0 to 400 psi (0 to 27.6 bar)
Max. temperature:	180°F (82°C)

CASH VALVE™ A SERIES PRESSURE REGULATORS

MODELS OVERVIEW

A-16

- Sizes: 1/4" or 3/8" (7 or 10.5 mm)
- Body styles:
 - Two-way valve with one female inlet and opposite female outlet.
 - Three-way valve with one female inlet and opposite female outlet plus a left-hand side 1/4" (7 mm) NPTF gauge connection^[1].

A-31 and A-31S

- Sizes: 1/8", 1/4" and 3/8" (3.5, 7 and 10.5 mm)
- Body styles:
 - Type A-31: two-way valve with one female inlet and opposite female outlet.
 - Type A-31S: three-way valve with one female inlet and opposite female outlet plus either a left or right-hand side 1/4" (7 mm) NPTF gauge connection^[1].

A-360 through A-365

- Sizes: 1/4", 3/8" and 1/2" (7, 10.5 and 15 mm)
- Body styles:
 - Type A-360 and A-365 - two-way valve with one female inlet and opposite female outlet.
 - Type A-361 - adaptable for three-way or four-way use.

NOTE

1. Gauge connection designation is in relation to main valve inlet with valve in upright position.

Operation

All A series pressure regulators are supplied with the requested delivery pressure pre-adjusted at the factory. Pressure adjustment is accomplished by turning the adjusting screw either clockwise to increase delivery pressure or counter-clockwise to reduce delivery pressure. For example, turning the adjusting screw clockwise forces the adjusting spring to act against the diaphragm assembly and move the internal valve seat to the open position.

When high inlet pressure is applied, it flows into the regulator, through the open seat, up under the diaphragm and on through the outlet. As the outlet pressure builds up under the diaphragm to the adjusted psi setting, the downward adjusting spring pressure is overcome and the regulating valve seat closes to maintain the required delivery pressure.

TYPE A-31



TYPE A-360, 365



TYPE A-361

TYPE A-16 (two-way)



CASH VALVE™ A SERIES PRESSURE REGULATORS

A-16 MODERATE REGULATION LOW TO MEDIUM CAPACITY

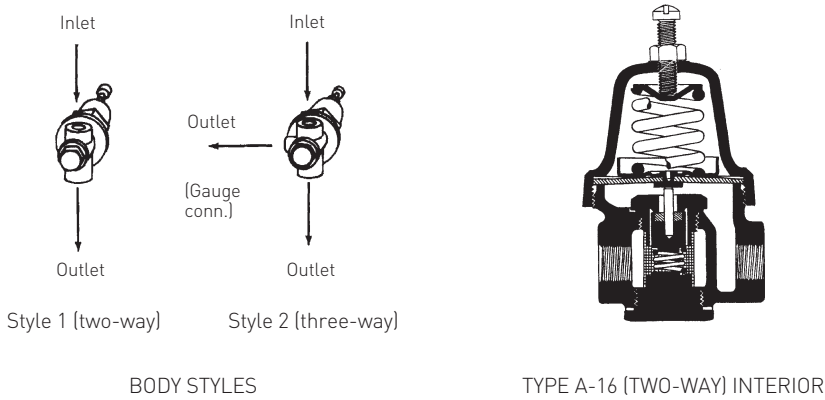
Application

Type A-16 regulators are suitable for air, water, oil, fluids, and gas applications and are intended for use on equipment requiring moderate regulation, low to medium capacity and installations where space limitations and flexibility of hook-up are important factors. They are designed for initial pressures up to 250 psi (17.2 bar) and delivery pressures ranging from 2 to 180 psi (0.14 to 12.4 bar) depending on the spring used. The maximum operation temperature is 180°F (82°C).

The A-16 type regulator is suitable for use in drinking fountains, bubblers, water coolers, humidifiers, beverage dispensers, spray paint rigs, air tools, etc.

SPECIFICATIONS

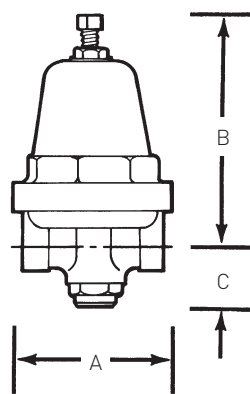
Type	Description				Maximum inlet pressure psi	Adjustable range psi	Maximum operating temperature °F
	Size		Body style				
	1/4"	3/8"	Two-way	Three-way			
A-16	X	X	X	X	250	2-180	180



A-16 Moderate regulation low to medium capacity

MATERIALS OF CONSTRUCTION

Part description	Materials
Body	Brass
Spring chamber	Aluminum
Spring button	Brass
Adjusting spring	Steel
Diaphragm gasket	Brass
Diaphragm	NBR
Pressure plate	Brass
Pusher post button	Brass
Cylinder	Brass
Piston	Brass
Seat disc	NBR
Piston spring	Stainless steel
Strainer screen	Brass



TYPE A-16 (TWO-WAY)

SPECIFICATIONS

Dimensions			Description		Ship. wt. (lbs)
A	B	C	Size	Style	
2 1/4"	3 1/2"	1 3/16"	1/4" or 3/8"	2-way, 3-way	1 3/4

CASH VALVE™ A SERIES PRESSURE REGULATORS

CAPACITY INFORMATION

Inlet - psig	Outlet - psig	Water (GPM)			Air (SCFM)		
		A-31/A-16	¼" A-360	½" A-360	A-31/A-16	¼" A-360	½" A-360
25	15	1.2	1.5	2.0	8	13	17
50	40	1.2	1.5	2.0	8	13	17
	25	1.4	2.2	2.5	11	21	25
75	50	2.7	3.0	5.5	20	25	45
	25	3.0	3.5	3.5	14	27	32
100	75	2.8	3.0	5.7	28	25	48
	50	3.0	3.6	9.0	25	30	60
	25	3.0	3.6	3.5	25	35	41
125	100	2.8	3.0	5.7	28	25	45
	75	3.7	4.0	7.0	34	35	62
	50	3.2	4.0	5.2	34	40	78
150	100	3.7	4.0	7.0	34	35	62
	75	3.7	4.5	8.5	34	40	78
	50	3.2	4.8	10.5	27	45	95
	25	1.8	4.8	10.5	27	45	95
200	150	4.4	4.4	7.5	47	45	85
	100	4.2	4.5	10.0	38	45	95
	75	4.2	5.0	13.5	38	45	95
	50	4.2	5.0	13.5	38	45	95
300	150	4.7	5.0	13.5	54	45	110
	100	4.7	5.0	13.5	54	45	95
	50	4.7	5.0	13.5	54	45	95

NOTES

1. The capacity information in this table is for general application use representing average conditions. Where capacities and sizing are critical, consult your sales representative.
2. Types A-31 and A-16 provide the same capacity.
3. Capacity for ¼" and ¾" A-360 same for A-361 and A-365.
4. Capacity for ½" A-360 same as A-361.
5. Capacities are based upon a 20% droop.

CASH VALVE™ A SERIES PRESSURE REGULATORS

TYPES A-31, A-31S: COMPACT AND ECONOMICAL REGULATORS

Application

Types A-31 and A-31S pressure regulating valves are designed for installations in systems with initial pressures up to 300 psi (20.7 bar) and where space and cost limitations are important. The standard adjustment range is from 2 to 180 psi (0.14 to 12.4 bar) and the maximum operating temperature is 180°F (82°C). For higher temperature installations consult your sales representative.

These regulators are for use on water and air, suitable for drinking fountains, bubblers, water coolers, humidifiers, beer pumps, beverage dispensers, spray paint outfits, air tools, etc. They are also suitable for other liquids and gases if recommended by the factory; for specific advice, please write giving full details of your requirements.

Sizes

Type A-31 and A-31S are available in 1/8", 1/4" and 3/8" (3.5, 7 and 10.5 mm) sizes and in various optional body styles.

Body styles

Type A-31: Two-way valve with one female inlet and opposite female outlet.

Type A-31S: Three-way valve with one female inlet and opposite female outlet plus either a left or right-hand side 1/4" (7 mm) NPTF gauge connection. Specify gauge connection required when ordering.

NOTE

Gauge connection designations are in relation to main valve inlet with valve in the upright position.

Optional balanced piston

The Type A-31 regulator can be furnished with a balanced piston construction for a small extra charge. This design is particularly effective in keeping the delivery pressure near constant when there are wide fluctuations in the inlet pressure.

Pressure adjusting screws

Type A-31 and A-31S pressure regulators are fitted with an adjusting screw and hex lock nut as standard. They can also be supplied with either a T-handle or black plastic handwheel with wing lock nut arrangement at a small extra charge. The handwheels are particularly suited for panel mounted installations both for improved appearance as well as ease of making pressure adjustments.

Mounting accessories

These regulators can be equipped with a special bushing and nut for panel mounting.

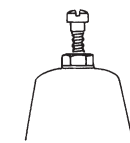
Special designs

Various modifications of the Type A-31 pressure regulating valve are available to meet specific applications.

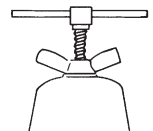
TYPE A-31



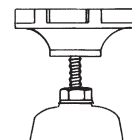
PRESSURE ADJUSTING SCREWS



Adjusting screw

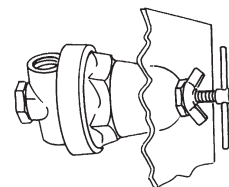


T-Handle



Handwheel (A31 only)

MOUNTING ACCESSORIES



Type A-31 (with bushing for panel mounting, T-handle, or with handwheel)

CASH VALVE™ A SERIES PRESSURE REGULATORS

A-31, A-31S Compact and economical regulators

MATERIALS OF CONSTRUCTION

Part description	Materials
Body	Brass
Spring chamber	Brass or aluminum
Spring button	Brass
Adjusting spring	Steel or stainless steel
Diaphragm gasket	Brass
Diaphragm	NBR
Pressure plate	Brass
Piston	Brass
Seat disc	NBR
Piston spring	Stainless steel

SPECIFICATIONS

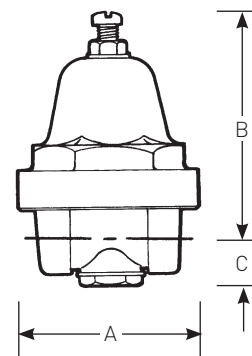
Type	Size			Body style		Maximum inlet pressure (psi)	Adjustable range (psi)	Balanced piston design	Maximum operating temperature (°F)
	1/8"	1/4"	3/8"	Two-way	Three-way				
A-31	X	X	X	X		300	2-180	❖	180
A-31S	X	X	X		X	300	2-180	❖	180

NOTE

❖ Optional

SPECIFICATIONS

A	Dimensions			Type	Ship. wt. (lbs)
	B	C	1/8", 1/4" 3/8"		
2 1/4"	3 3/16"	1/4"		A31, A31S	1 1/4
2 1/4"	3 3/16"	5/8"		A31 balanced piston	1 3/8



TYPE A-31

CASH VALVE™ A SERIES PRESSURE REGULATORS

A16, A31, A31S, A31VR SELECTION GUIDE

Example:	A16	-	A	W	S	A	S	B	B	F	02	-	D	1
Model	A16		A	W	S	A	S	B	B	F	02	-	D	1
A16	A16													
A31	A31													
A31S	A31S													
A31VR	A31VR													
Size														
Y	1/8" [A31, A31S]													
A	1/4" [A16, A31, A31S, A31VR]													
B	3/8" [A16, A31, A31S]													
Service														
W	Water/air													
V	Vacuum service [A31VR]													
Body/connection style														
S	Side inlet/side outlet - straight thru [A16, A31]													
R	Side inlet/side outlet - straight thru w/ right side gauge port [A31S]													
L	Side inlet/side outlet - straight thru w/ left side gauge port [A16, A31S]													
B	Side inlet/bottom outlet w/ straight thru gauge connection [A31VR]													
Spring chamber material														
A	Aluminum spring chamber [A16, A31, A31S]													
Z	Brass spring chamber [A31, A32, A31VR only]													
Spring chamber style														
S	Standard													
P	Panel mount													
N	Non-vented													
Diaphragm material														
B	Buna-N [A16, A31, A31S]													
L	Buna-N w/ Teflon liner [A31, A31S]													
N	Neoprene [A31, A31S]													
T	Neoprene w/ Teflon liner [A31, A31S]													
R	EPR [A31VR]													
F	EPR w/ Teflon liner [A31VR]													
Seat material														
B	Buna-N [A16, A31, A31S]													
S	Silicone [A31VR]													
T	Teflon [A31]													
K	Kalrez [A31VR]													
V	Viton [A31, A31S]													
Pressure screw style														
F	Fillister [A16, A31, A31S]													
K	Knurled [A31VR]													
T	T-handle [A31, A31S]													
W	Handwheel plastic [A31]													
H	Hex [A31, A31S]													
Variation														
01	Standard													
11	Standard variation w/ inlet screen [A31]													
02	Balanced piston [A31, A31S]													
12	Balanced piston w/ inlet screen [A31]													
Design revision														
(-)	Original design													
Spring material														
D	Carbon steel (Industrial or final line gas service only)													
E	Stainless steel													

Refer to table below

STANDARD SPRING RANGES (psig)

Spring Material	Type	1	2	3	4	5	6	7
Steel	A16	2 - 30	10 - 50	25 - 90	80 - 120	100 - 180	----	----
	A31, A31S	2 - 30	10 - 50	30 - 90	80 - 120	100 - 180	----	----
	A31VR (IN/HG)	0 - 15	10 - 30	----	----	----	----	----
SST	A31	2 - 15	2 - 25	15 - 65	40 - 100	50 - 150	75 - 175	100 - 250
	A31S	2 - 15	----	----	----	----	----	----

CASH VALVE™ A SERIES PRESSURE REGULATORS

TYPES A-360, A-361 AND A-365: ACCURATE REGULATION MEDIUM AND HIGH CAPACITY

Application

Types A-360, A-361 and A-365 pressure reducing regulating valves incorporate an aspirating action to give accurate regulation at high flow rates. Extreme fluctuations in the upstream or inlet pressure have little or no effect on the delivery or outlet pressure due to the balanced design. They are recommended for air, oils, water, gases and all non-corrosive fluids and are not for steam service. The maximum system operating temperature must not exceed 180°F (82°C).

Types A-360, A-361 and A-365 regulators are recommended for any installation requiring more flow and finer regulator control than the small ordinary regulator can provide. They may be operated in any position, horizontal or vertical.

Sizes

Types A-360 and A-361 are designed for systems with a maximum inlet pressure of 400 psi (27.6 bar) and allow delivery pressures to be adjusted from 0 to 250 psi (0 to 17.2 bar) depending on the spring used. They are available in ¼", ⅜", and ½" (7, 10.5 and 15 mm) sizes.

Type A-365 is designed for a maximum inlet pressure of 1100 psi (76 bar), while allowing for delivery pressures to be adjusted from 0 to 250 psi (0 to 17.2 bar). It is available in ¼" and ⅜" (7 and 10.5 mm) sizes only.



TYPE A-360, 365



TYPE A-361

SPECIFICATIONS

Type	Size			Description		Maximum inlet pressure (psi)	Adjustable range (psi)	Maximum operating temperature (°F)
	¼"	⅜"	½"	Body style				
				Two-way	Three-way* or four-way			
A-360	X	X	X	X		400	0-250	180
A-361	X ¹	X	X		X	400	0-250	180
A-365	X	X		X		1100	0-400	180

NOTE

- * ¼" NPTF pipe plug fitted for three-way applications
- 1. ¼" A-361 adjustable range can go up to 400 psi

CASH VALVE™ A SERIES PRESSURE REGULATORS

TYPES A-360, A-361 AND A-365

Operation

Types A-360, A-361 and A-365 regulators produce maximum sensitivity to changes in demand or rate of flow, by the combination of long, responsive springs (see A) and a body port (B) past which fluid flowing at a higher velocity creates a suction or aspirating action. This materially reduces pressure in the chamber below the diaphragm (C), permitting wider valve opening resulting in higher capacity and closer regulation.

Type A-360 series valves have a balanced internal piston design (D) to ensure stability of outlet pressure control despite widely varying inlet pressure conditions. An upper piston O-ring seal (E) is used to isolate the inlet pressure from the control chamber below the diaphragm and may be renewed easily from the top side by removing the O-ring retainer (two screws). All other operating parts below the diaphragm are accessible easily and removable readily through the bottom cap, which also employs an O-ring seal to preclude any leakage.

The renewable valve seat disc is of a high quality composition to provide tight closure as long as the seat is clean and free from damage. Closure against the inlet pressure ensures smooth, quiet performance.

Accurate regulation

The balanced piston design maintains a near constant delivery pressure when there are wide fluctuations in the inlet pressure.

Body styles

Type A-360 and A-365 - Two-way valve with one female inlet and opposite female outlet.

Type A-361 - Adaptable for three-way or four-way use. The design incorporates one female inlet and opposite female outlet plus one left and one right-hand side 1/4" (7 mm) NPTF gauge connection. One 1/4" (7 mm) NPTF plug is furnished to convert from four-way to three-way use. The four-way design permits installation with either one inlet and three outlets or two inlets and two outlets, to provide for all combinations of gauging upstream or downstream pressures.

Pressure adjusting screws

The valves are fitted with an adjusting screw and lock nut as standard.

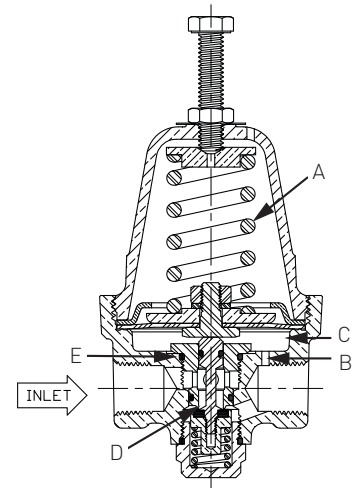
They may also be fitted with an optional tamper proof cap, a T-handle or a black plastic handwheel with lock nut.

Panel mounting

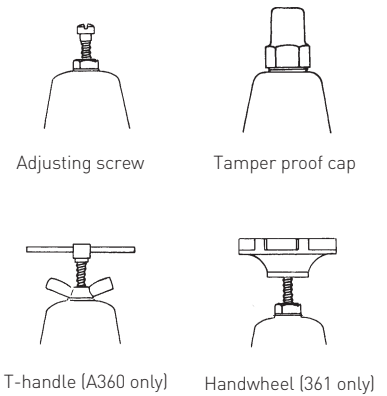
All versions may be equipped with a special bushing and wing nut to mount the valve securely to a control panel.

Replaceable seat disc, O-rings, diaphragm and piston

Simplicity of design means minimal, easy and low-cost maintenance with few integral parts required.

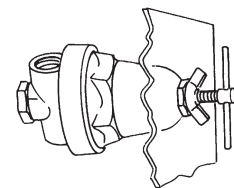


TYPE A-360, A-361 INTERIOR

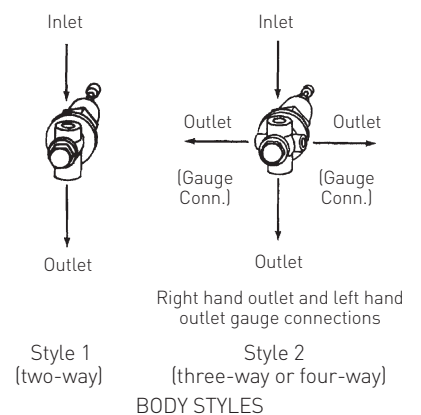


OPTIONS

MOUNTING ACCESSORIES



Type A-31 (with bushing for panel mounting, T-handle, or with handwheel)



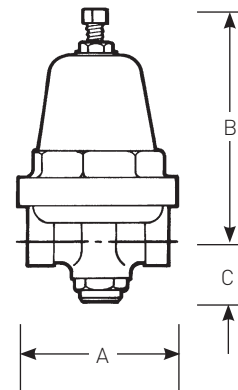
BODY STYLES

CASH VALVE™ A SERIES PRESSURE REGULATORS

TYPES A-360, A-361 AND A-365

MATERIALS OF CONSTRUCTION

Part description	Materials
Body	Brass or bronze
Spring housing	Bronze
Adjusting spring	Stainless steel
Diaphragm stop	Brass
Pressure plate	Brass
Diaphragm	Neoprene
Pusher post button	Brass
Retainer plate*	Brass
Cylinder**	Stainless steel
Pusher post	Stainless steel
Seat disc	NBR
Piston	Brass
Piston spring	Stainless steel
O-rings	NBR



TYPE A-360, A-361, A-365

NOTE

* Except A-365

** A-365 only

SPECIFICATIONS

Type	Size		Description		Dimensions			Shipping weight (lbs)
	3/8", 1/4"	1/2"	Two-way	Body style Three- or four way	A	B	C	
A-360	X		X		2 1/2	4 1/2	1 1/8	2
A-360		X	X		2 7/8	4 1/2	1 5/8	2 1/2
A-361	X			X	2 1/2	4 1/2	1 1/8	2 1/8
A-361		X		X	2 7/8	4 1/2	1 5/8	2 5/8
A-365	X		X		2 1/2	4 1/2	1 1/8	2

CASH VALVE™ A SERIES PRESSURE REGULATORS

A360, A361, A365 SELECTION GUIDE

Example:	A360	A	W	S	Z	S	B	B	S	01	-	D	1
Model	A360	A360											
A361	A361												
A365	A365												
Size													
A	1/4"												
B	3/8"												
C	1/2" (A360, A361)												
Service													
W	Water/air												
Body/connection style													
S	Side inlet / side outlet - straight thru (A360, A365)												
X	Side inlet / side outlet - straight thru w/ two 1/4" gauge ports (A361)												
Spring chamber material													
Z	Bronze spring chamber												
Spring chamber style													
S	Standard												
P	Panel mount (A360, A361)												
D	Differential connection and adjusting screw cap (A365)												
C	Adjusting screw cap (A365)												
Diaphragm material													
B	Buna-N (A360, A365)				Z	Bronze							
L	Buna-N w/ Teflon liner (A360 and A365)				V	Viton							
N	Neoprene				E	EPDM (A365)							
T	Neoprene w/ Teflon liner (A360)												
Seat material													
B	Buna-N				N	Neoprene (A365)							
T	Teflon (A360, A361)				E	EPDM (A365)							
V	Viton												
Pressure screw style													
S	Standard												
T	T-handle												
H	Hex												
Variation													
01	Standard												
Design revision													
(-)	Original design												
Spring material													
E	Stainless steel												
Spring range													
	Refer to table below												

NOTE

NPTF, also referred to as 'Dryseal' thread, is designed to provide a more leak-free seal without the use of PTFE tape or other sealant compound. NPTF threads are interchangeable with NPT threads and are standard on all Cash Valve products.

STANDARD SPRING RANGES (psig)

Spring Material	Type	Size	0	1	2	3	4	5	6	7
SST	A360	1/4", 3/8"	No spring	0 - 5	2 - 35	20 - 70	60 - 125	75 - 200	100 - 250	----
	A361	1/4", 3/8"	----	0 - 5	2 - 35	20 - 70	60 - 125	75 - 200	100 - 250	200 - 400
	A360, A361	1/2"	No spring*	0 - 5	2 - 25	20 - 60	40 - 80	75 - 125	100 - 250	----
	A365	All sizes	----	0 - 40	40 - 80	25 - 150	100 - 200	200 - 250	200 - 400	----

* Only available for A360

D104627X012 © 2016, 2022 Emerson Electric Co. All rights reserved 05/22. Cash Valve is a mark owned by one of the companies in the Emerson Automation Solutions business unit of Emerson Electric Co. The Emerson logo is a trademark and service mark of Emerson Electric Co. All other marks are the property of their prospective owners.

The contents of this publication are presented for informational purposes only, and while every effort has been made to ensure their accuracy, they are not to be construed as warranties or guarantees, express or implied, regarding the products or services described herein or their use or applicability. All sales are governed by our terms and conditions, which are available upon request. We reserve the right to modify or improve the designs or specifications of such products at any time without notice.

Emerson Electric Co. does not assume responsibility for the selection, use or maintenance of any product. Responsibility for proper selection, use and maintenance of any Emerson Electric Co. product remains solely with the purchaser.

Emerson.com